

Multicamera systems

vicosys®

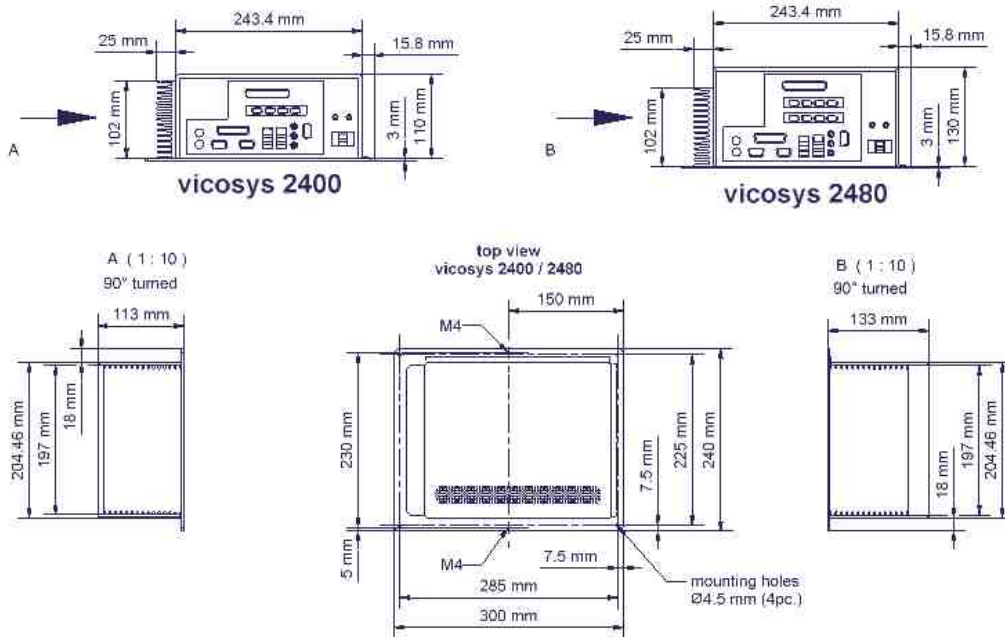
vicosys® 2400

Product features

- Rapid image processing with Intel® Pentium® chip at 1.4 GHz
- Flexible camera interfaces
- Up to 16 digital inputs and 16 digital outputs
- Compact and robust construction
- Top-hat or wall mounting
- High Speed communication via Gigabit Ethernet
- Rapid parallel image acquisition via separate FireWire buses
- Operating philosophy of the pictor® series and flexibility of an embedded solution
- Communication is extendable
- SDK for embedding of own software modules
- Efficient Machine Vision commands



Engineering drawing



Download Manual



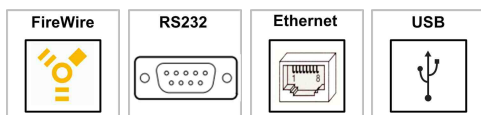
Download CAD-File



Definition

FireWire cameras of different resolution may operate together with units of the vicosys® 2400 series.

Variants



Multicamera systems

vicosys®

vicosys® 2400

Technical data

Model	vicosys 2400 FireWire 4-21-107	vicosys 2480 FireWire 4-21-108
Processor	Embedded PC, Intel® Pentium® 1.4 GHz, fan-less	Embedded PC, Intel® Pentium® 1.4 GHz, fan-less
Operating system	Linux	Linux
Memory	rapid DDR-RAM (256MB); 256 MB Compact Flash	rapid DDR-RAM (256MB); 256 MB Compact Flash
Operating and data interfaces	1 × Ethernet 10/100/1000 Mbit, 4 × USB 2.0, 1 × RS232 (max. 115 kbaud)	1 × Ethernet 10/100/1000 Mbit, 4 × USB 2.0, 1 × RS232 (max. 115 kbaud)
Process coupling	8 digital inputs and outputs for each, 24 VDC, optically decoupled	8 digital inputs and outputs for each, 24 VDC, optically decoupled
Camera interfaces	4 x IEEE 1394a	8 x IEEE 1394a
Video output	SVGA	SVGA
Operating voltage	18 ... 36 VDC	18 ... 36 VDC
Power consumption	Unit itself: max. 50 W; FireWire bus max. 12 W with 4 cameras	Unit itself: max. 50 W; FireWire bus max. 24 W with 8 cameras
Operating temperature	0 ... 45 °C	0 ... 45 °C
Dimensions	250 × 240 × 113 mm ³	250 × 240 × 130 mm ³
Weight	approx. 4 kg	approx. 4 kg

Variants

Variants	vicosys 2400 4x FireWire	vicosys 2480 8x FireWire
Order number	4-21-107	4-21-108

Multicamera systems

vicosys®

vicosys® 2400

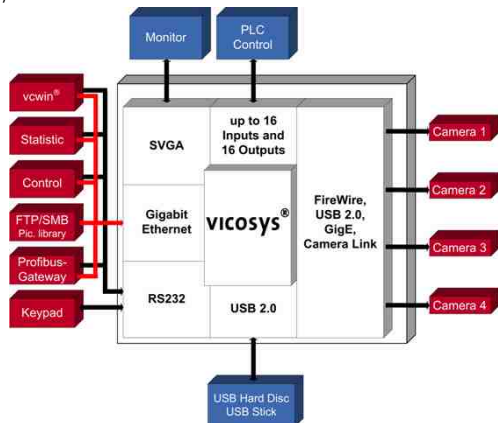
Notes

Accessories

Order no.	Name	Description
4-20-206	Key-Pad for vision systems	to control monitor menu of vicosys, incl. cable
4-40-226	Ethernet cross-module	accessory equipment for pictor M1xxx, Mxx/E
4-40-266	I/O-cable with 2x Sub-D	connection for digital Inputs and Outputs
4-40-267	I/O-cable with 1x Sub-D	connection for digital Inputs and Outputs
4-40-268	transfer block Sub-D	transfer of I/O-signals to a terminal block
4-40-269	WAGO transfer device	transfer of I/O-signals to a terminal block
3-90-025	PKM-PLC8	Process modul IO 8 IN/ 8 OUT dig. IO for pictor and vicosys via RS232 or Ethernet
3-90-026	PKM-PB	Process modul Profibus DP for pictor and vicosys via RS232 or Ethernet
3-90-027	PKM-PB/v	Process modul Profibus DP vicosys only, via RS232

Technical diagram

vicosys 2400 interfaces



vicosys 2400 interface sight



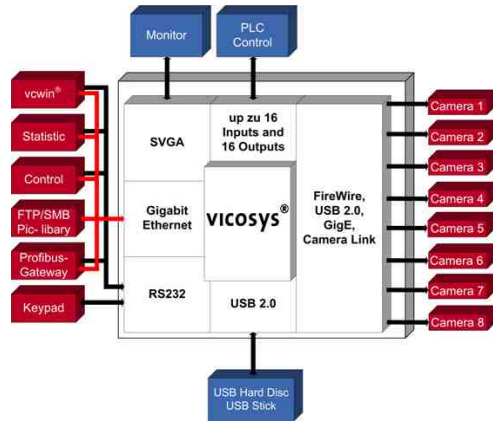
Multicamera systems

vicosys®

vicosys® 2400

Engineering drawing

vicosys 2480 interface



vicosys 2800 interface sight



Technical diagram

I/O plug arrangement

Pin	Wire colour	Description
9	white/grey	24 VDC
28	grey/brown	24 VDC
10	white/pink	0 VDC
29	pink/brown	0 VDC
1	white	IN 1
20	brown	IN 2
2	green	IN 3
21	yellow	IN 4
3	grey	IN 5
22	pink	IN 6
4	blue	IN 7
23	red	IN 8
11	white/blue	OUT 1
30	brown/blue	OUT 2
12	white/red	OUT 3
31	brown/red	OUT 4
13	white/black	OUT 5
32	brown/black	OUT 6
14	grey/green	OUT 7
33	yellow/grey	OUT 8